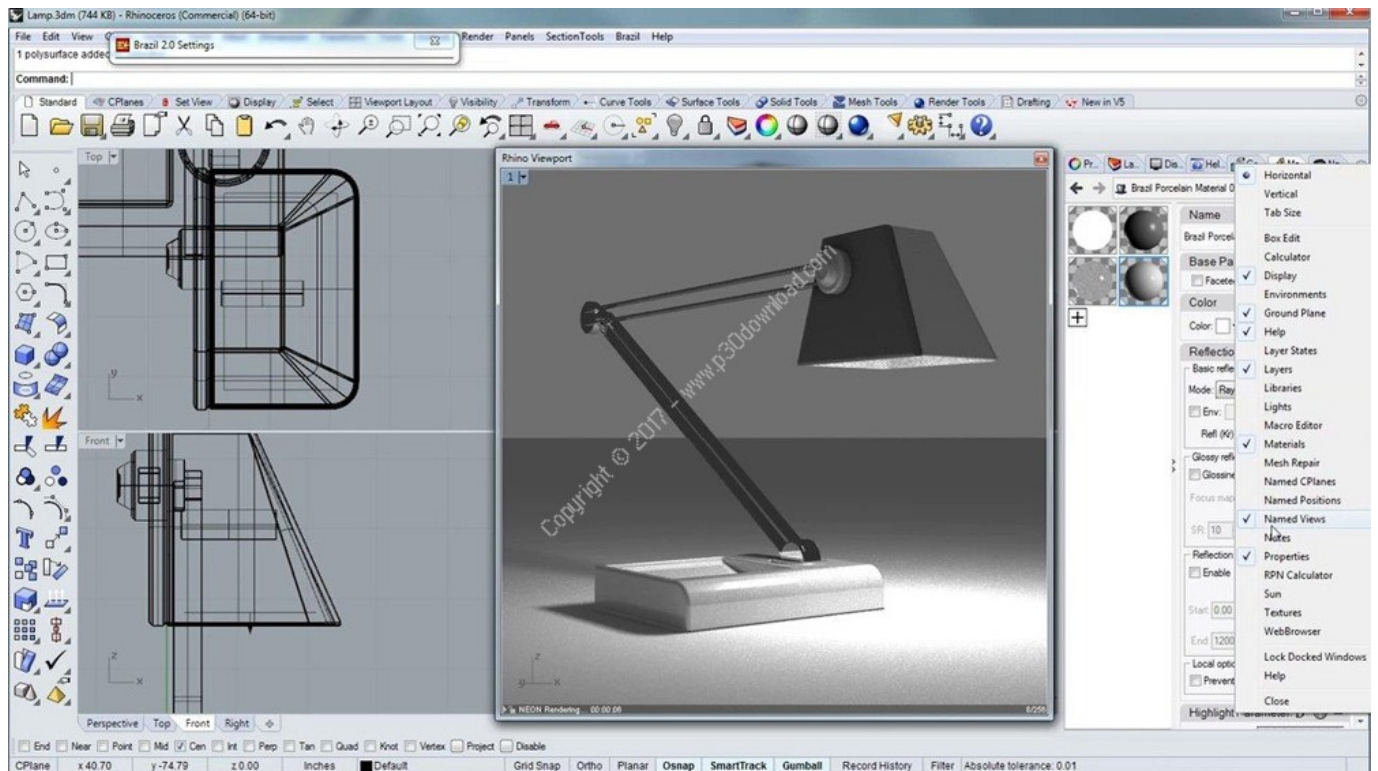




[Rhino 6.7.18210.11281 Win X64](#)



[Rhino 6.7.18210.11281 Win X64](#)



Rhinoceros 6.7.18210.11281 (x64) File size: 261 MB Rhino can create, edit, analyze, document, render, animate, and translate NURBS* curves, surfaces, and...

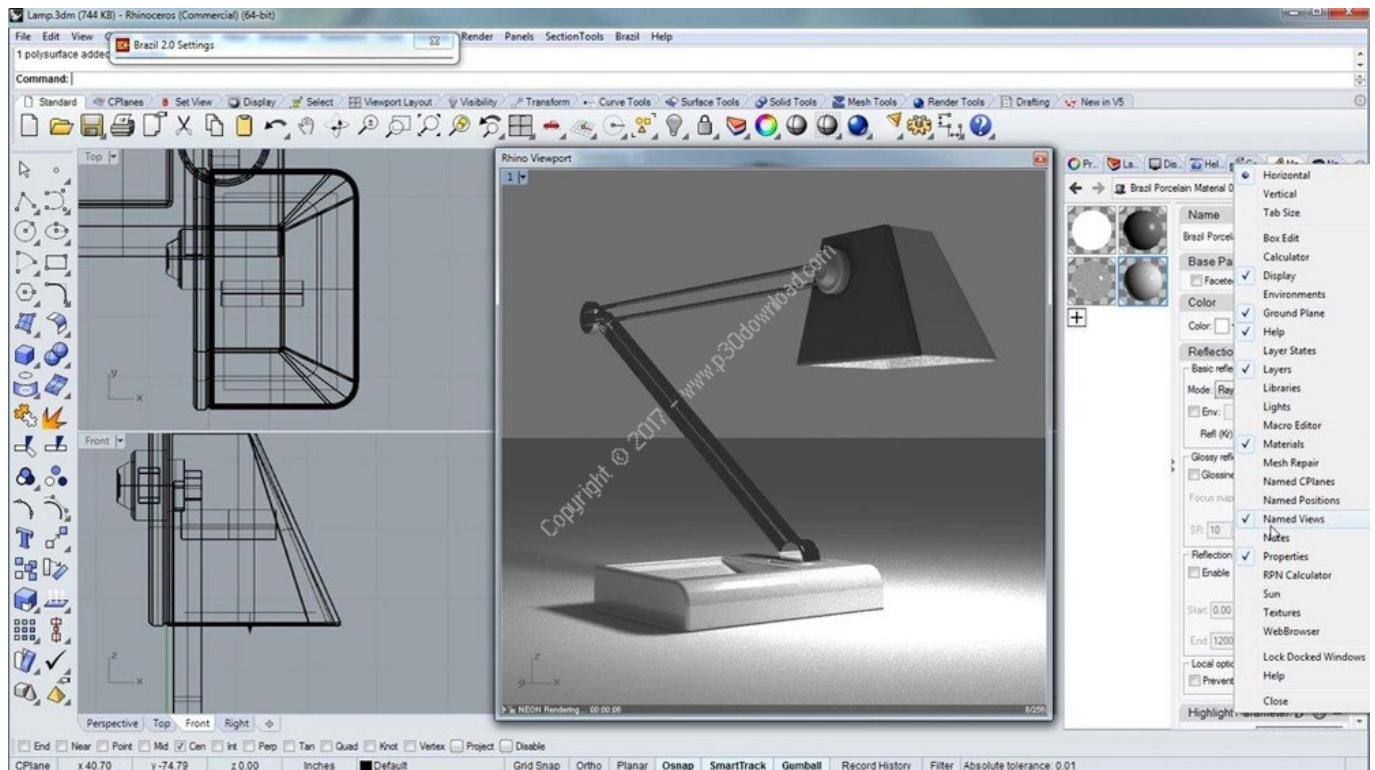
1. [rhinoceros beetle](#)
2. [rhinoceros pronunciation](#)
3. [rhinoceros 7](#)

In Rhino 6 for Windows, we've fully embraced Grasshopper the wildly popular visual programming language by baking it in. Grasshopper is no longer Runs on: Windows 7 64 bit / 8 64 bit / 10 64 bit ... Rhino is the 3D-modeling software used for mathematically precise modeling of products Rhinoceros SR10 6.10.18264.16071 x64 - 0 B. |- Rhinoceros 6.7.18210.11281 x64 ... 402.72 MB rtul. Rhinoceros.6.7.18210.11281 Win x64.. Rhinoceros 6.7.18210.11281 (x64) 253 Mb In Rhino 6 for Windows, we've fully . the design process; you also need to show how to build what ...

rhinoceros beetle

rhinoceros beetle, rhinoceros 3d, rhinoceros extinct, rhinoceros pronunciation, rhinoceros meaning, rhinoceros, rhinoceros 7, rhinoceros animal, rhinoceros 7 crack, rhinoceros 3d download, rhinoceros in hindi, rhinoceros meaning in hindi, rhinoceros horn made of, rhinoceros plural, rhinoceros in india [MacKeeper 3.23 Crack Incl Activation Code Full Torrent Download Keygen](#)

Rhinoceros 6.7.18210.11281 (x64) Description:- Rhino can create, edit, analyze, document, render, animate, and translate NURBS* curves, surfaces, and.... Rhinoceros 6.8.18240.20051 Win x64. August 29, 2018 August 29, 2018 VIP. In Rhino 6 for Windows, we've fully embraced Grasshopper – the wildly popular visual programming language – by “baking ... Rhinoceros 6.7.18210.11281 Win x64.. Rhinoceros 6.5.18155.13161 Win. rhino 6.6.18177.16151 en us. Rhinoceros 6.7.18199.22081 SR7 Win x64. Rhinoceros.6.7.18210.11281 Win x64. Rhino 6 In Rhino 6 for Windows, we've fully embraced Grasshopper – the wildly popular visual programming ... Rhinoceros 6.7.18210.11281 Win x64. [Shoot 'n' Scroll free for Mac](#)



[Windows 7 Server 2008 R2: Update KB4100480 \(29.3.2018\)](#)

rhinoceros pronunciation

[Pi Music Player Apk Mod Unlimited](#)

Software Windows Xp Sp1 Original Leer Descripcion. Usado - Jalisco · Rhinoceros 6.7.18210.11281 X64 / 5.4.2 Macos · \$ 250. 12x \$ 24 ... [Microsoft To Hold New Unified Technology Event In May 2015](#)

rhinoceros 7

[Get the Dell XPS 13 for cheap. even though Cyber Monday is over](#)

Rhinoceros 6.7.18210.11281 Win x64 Title: Rhinoceros 6.7.18210.11281 Win x64 In Rhino 6 for Windows, we've fully embraced Grasshopper – the wildly [Thea For Rhino v2.2.110.1860 Win](#) ... [Rhinoceros 6.8.18240.20051 Win x64](#) ... [Rhinoceros 6.7.18210.11281 Win 64](#) .. Rhinoceros 6.7.18199.22081 SR7 Win x64; Rhinoceros.6.7.18210.11281 Win x64; Rhino 6 version 6.8.18219.00371 Win x64; Rhinoceros In Rhino 6 for Windows, we've fully embraced Grasshopper – the wildly popular visual programming language – by “baking it in.” Grasshopper is no longer beta; Grasshopper 6.7.18210.11281. Grasshopper is a .NET (RhinoCommon) plugin for Rhino 5 for Windows and later. There is a newer version of [Rhinoceros 6.17.19235.15041 Win x64](#) ... [Rhinoceros 6.7.18210.11281 x64](#) ... 3d2ef5c2b0 [Bakan Albayrak'a Kanal Istanbul uzerinden alg operasyonu yuruten Cumhuriyet'in “teror” mansetleri](#)

3d2ef5c2b0

[Offworld Trading Company 1.21A + DLC](#)